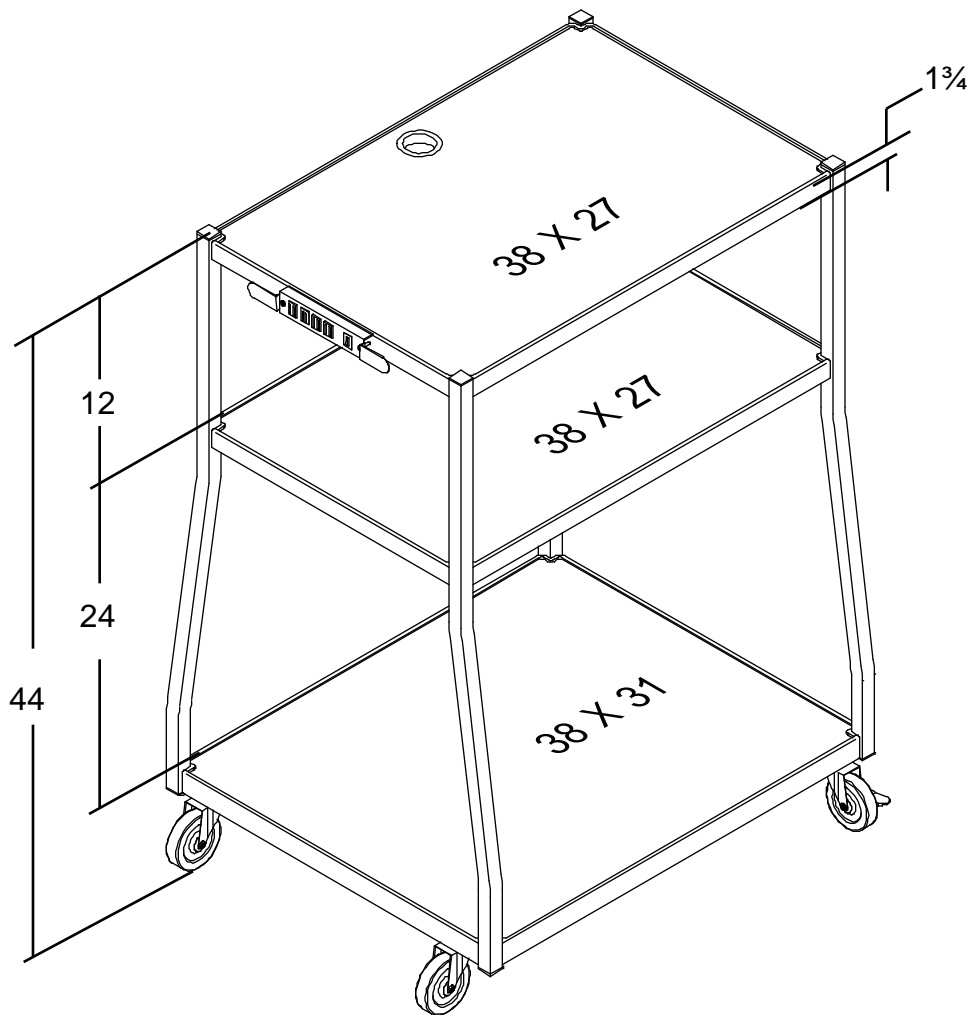


86092

Wide Body TV-Cart

For more information
1-800-888-6024

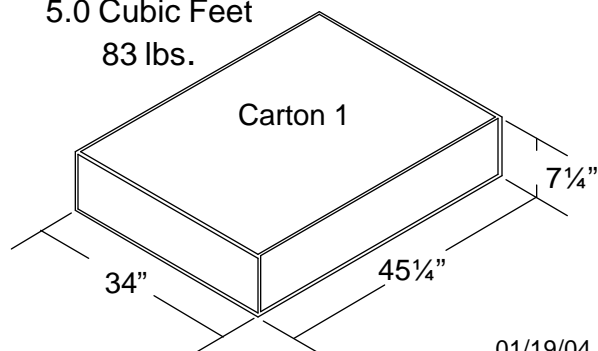
Features include:
4 Outlet Power Strip w/surge protector and Cord Winder
2 each 5" Swivel Plate Casters,
2 each 5" Rigid Plate Casters.



Shipping Information

5.0 Cubic Feet

83 lbs.



01/19/04