

Endurance™

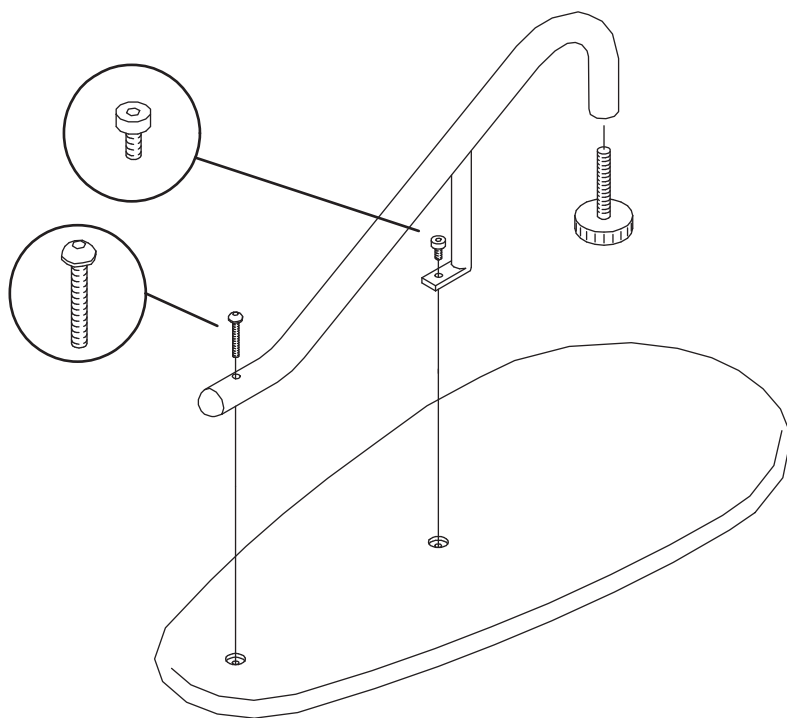
Hardware Included:

- (1) 8 mm long Hex Key Screw (M5)
- (1) 25 mm long Hex Key Screw (M5)
- (1) M10 Thumbscrew

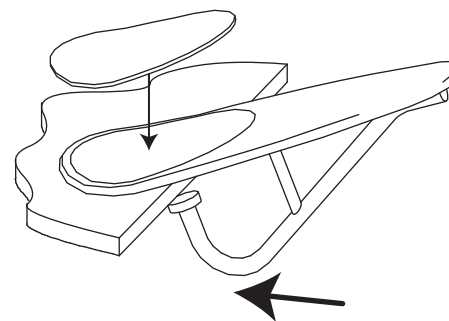
Tools Needed:

Allen Wrench

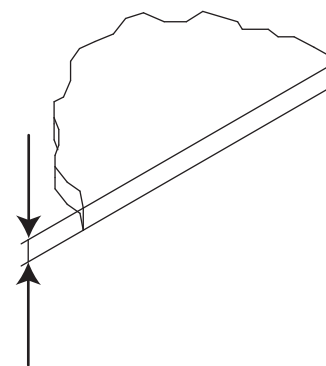
1



2



1/2" to 1-3/4"



3

