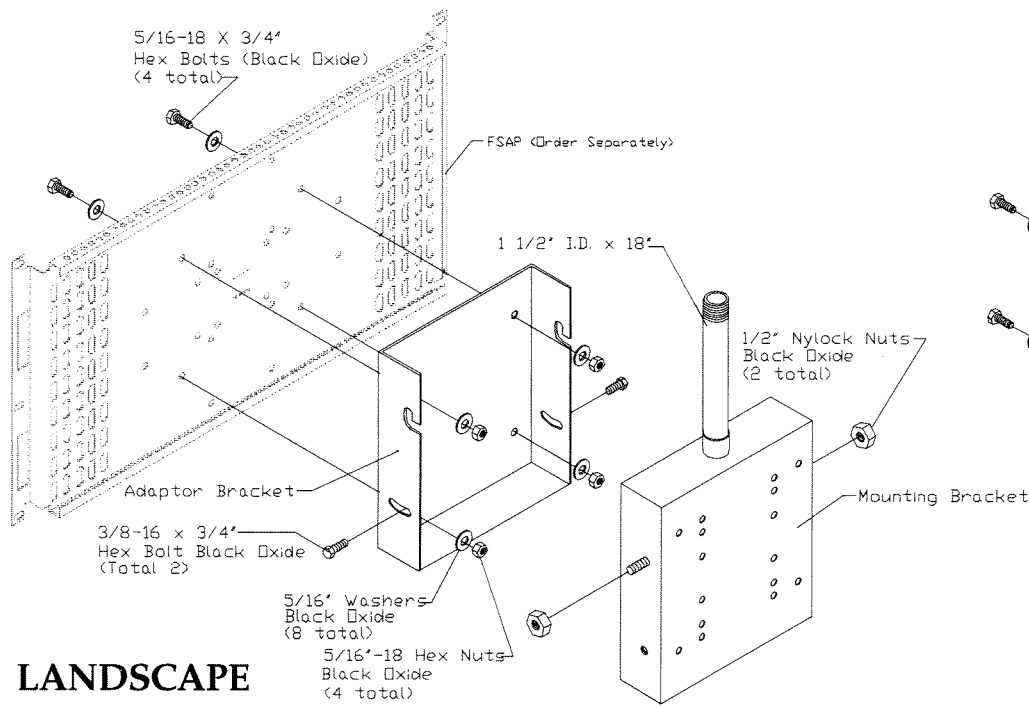
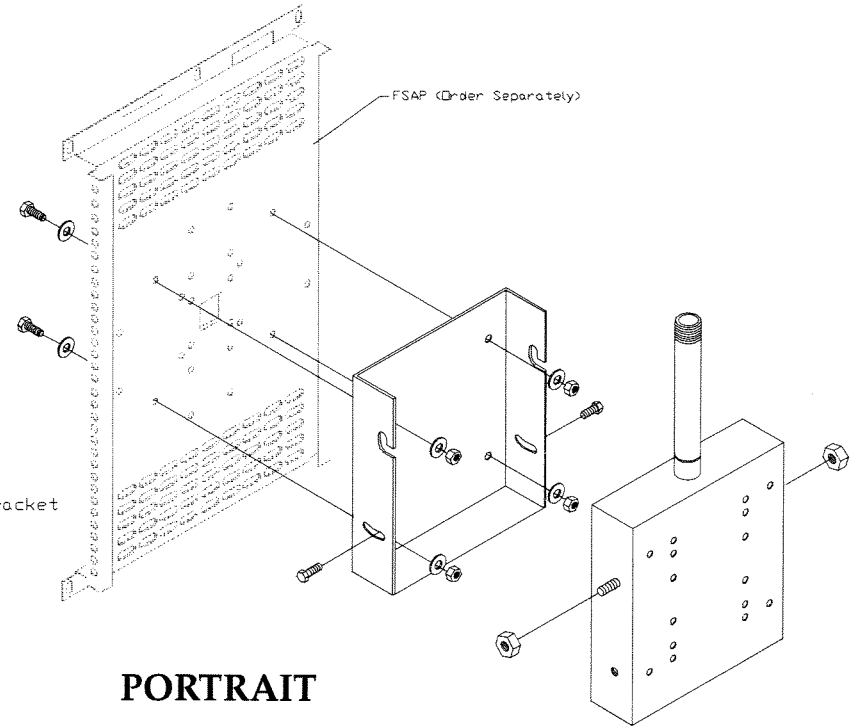


FSCT

15° Tilt Flat Screen Ceiling Mount



LANDSCAPE



PORTRAIT

1. Attach Adaptor Bracket to FSAP (ordered separately) with (4) 5/16-18 x 3/4" hex bolts, nuts, and washers. Tighten securely. Refer to FSAP instructions and attach FSAP to monitor.
2. Thread Mounting Bracket onto 1 1/2" I.D. ceiling pipe.
Caution: Ceiling attachment should be performed by qualified installers only, using construction methods prescribed by authorized architects or engineers that comply to all applicable codes and standards.
3. Raise monitor with attached brackets to Mounting Bracket and slip slot on Adaptor Bracket over 1/2" weld studs on Mounting Bracket. Attach with 3/8-16 hex bolts and 1/2" Nylock nuts.