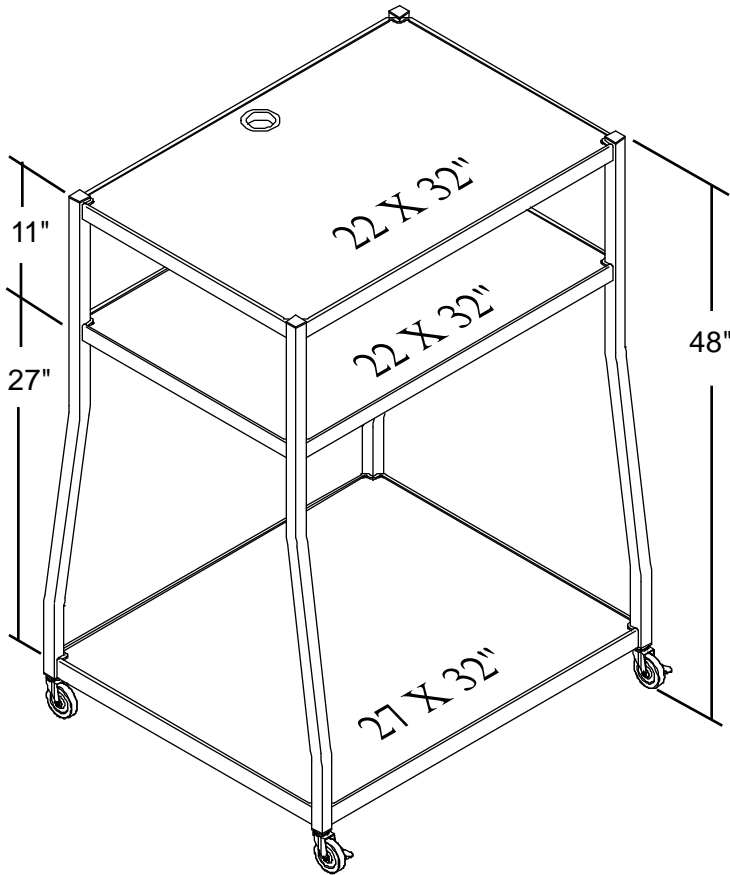


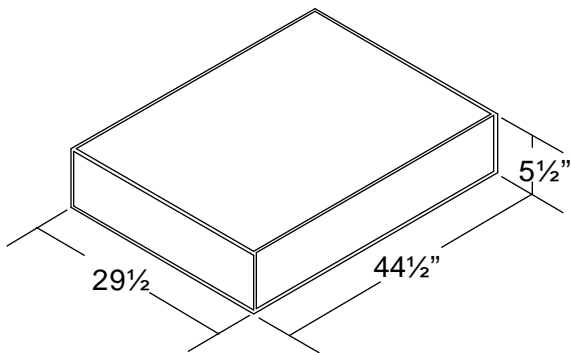
# TV-CART

## Audio Visual Presentation Station

For more information  
**1-800-888-6024**



Shipping Information  
4.2 Cubic Feet  
56 lbs.



Designed to hold up to a 32" Television, VCR and accessories.

Wide bottom design prevents tipping during transit.

Includes 4" casters for ease of travel between classrooms.

Ships UPS.