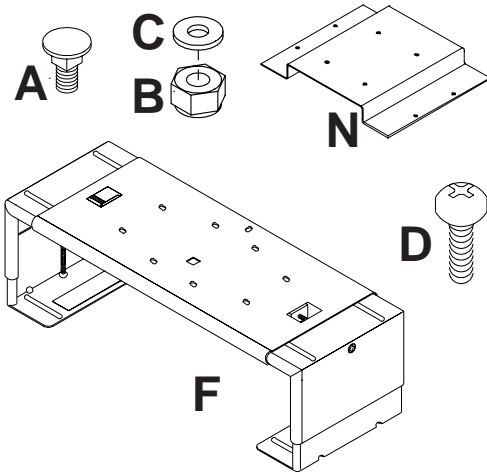


Installation and Assembly - VCR Mount for Jumbo® Mounts

Models:
VPM35-J, VPM35-JS, VPM40-J, VPM40-JS,
VPM45-J, VPM45-JS, SVPM35-J, SVPM35-JS,
SVPM40-J, SVPM40-JS, SVPM45-J, SVPM45-JS

INSIDE DIMENSIONS

| MODEL # | WIDTH (W) | HEIGHT (H) |
|--|-----------------------------------|---------------------------------|
| VPM35-J, VPM35-JS, SVPM35-J, SVPM35-JS | 10.25" - 14.25" (260 mm - 362 mm) | 2.69" - 4.5" (68 mm - 114 mm) |
| VPM40-J, VPM40-JS, SVPM40-J, SVPM40-JS | 13.25" - 17.25" (337 mm - 438 mm) | 2.69" - 4.5" (68 mm - 114 mm) |
| VPM45-J, VPM45-JS, SVPM45-J, SVPM45-JS | 13.25" - 17.25" (337 mm - 438 mm) | 4.25" - 5.75" (108 mm - 146 mm) |



| | VPM35-J, VPM35-JS | SVPM35-J, SVPM35-JS | VPM40-J, VPM40-JS | SVPM40-J, SVPM40-JS | VPM45-J, VPM45-JS | SVPM45-J, SVPM45-JS | Parts List | | | | |
|---|-------------------|---------------------|-------------------|---------------------|-------------------|---------------------|-------------|-------------------------------|-------------------|--------------------|----------|
| | | | | | | | Description | Qty. | Black Part Number | Silver Part Number | |
| ✓ | ✓ | ✓ | ✓ | ✓ | ✓ | ✓ | A | 10-24 x 1/2 carriage bolt | 8 | 520-9523 | 520-2104 |
| ✓ | ✓ | ✓ | ✓ | ✓ | ✓ | ✓ | B | 10-24 nylock nut | 8 | 530-9341 | 530-9342 |
| ✓ | ✓ | ✓ | ✓ | ✓ | ✓ | ✓ | C | #10 SAE flat washer | 8 | 540-9400 | 540-9442 |
| ✓ | ✓ | ✓ | ✓ | ✓ | ✓ | ✓ | D | M5 x .8 x 8 mm phillips screw | 8 | 520-1167 | 520-2167 |
| ✓ | ✓ | ✓ | ✓ | ✓ | ✓ | ✓ | E | penta-pin tool (not shown) | 1 | 520-9249 | 520-9249 |
| ✓ | ✓ | ✓ | ✓ | ✓ | ✓ | ✓ | F | VCR Bracket | 1 | — | — |
| ✓ | ✓ | ✓ | ✓ | ✓ | ✓ | ✓ | N | hanger bracket | 1 | 1255-275 | 081-4086 |

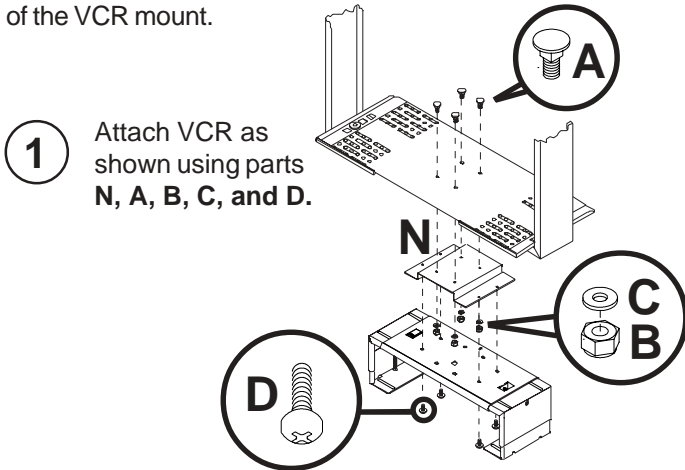
Parts may appear slightly different than illustrated.

Check parts list. Be sure all parts listed are included with your product.

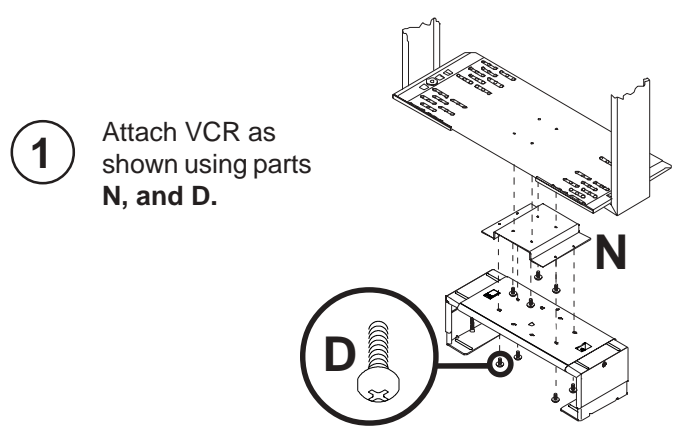
Note: The PentaPin tool is only included with security models (SVPM models)

There was an enhancement made to the Jumbo™ and Jumbo 2000™ TV mounts in 1999 to allow the VCR mount to be added after the TV has been installed. Depending on the style you are using, you will complete your installation one of the following two ways. As a result, you will not use all of the fasteners provided.

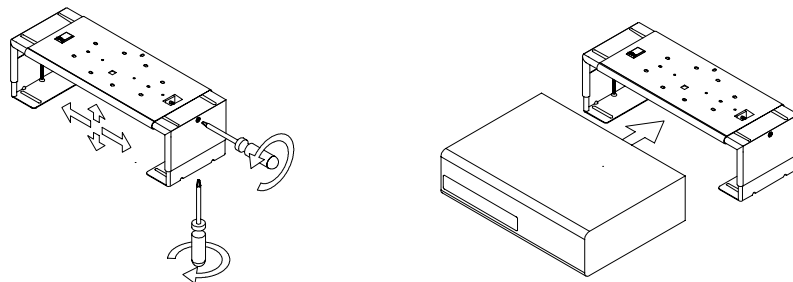
Follow this installation if your TV mount has slots in the center of the tray rather than threaded holes. If you have this style, the TV will have to be removed to complete the installation of the VCR mount.



Follow this installation if your TV mount has four threaded holes in the center of the tray. The TV does not have to be removed for you to install your VCR mount.



2 Adjust the VCR mount as shown to fit your equipment.

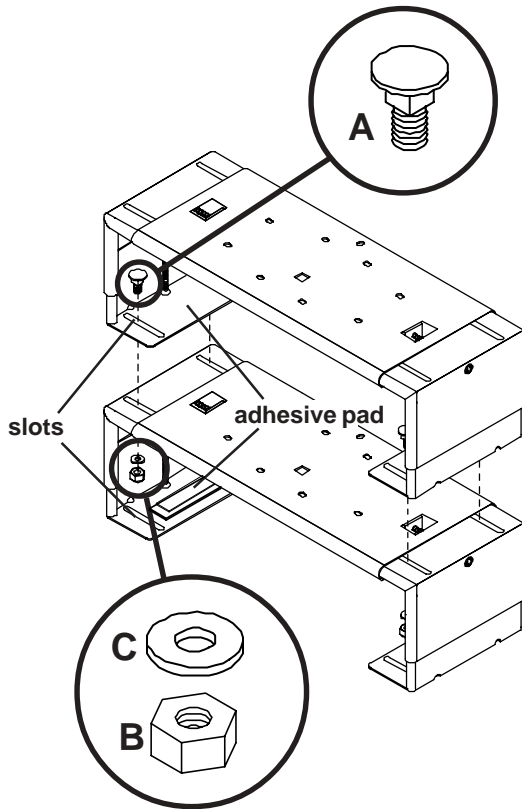


OPTIONAL: If attaching multiple VCR mounts to a TV mount, proceed with step 3 through 5.

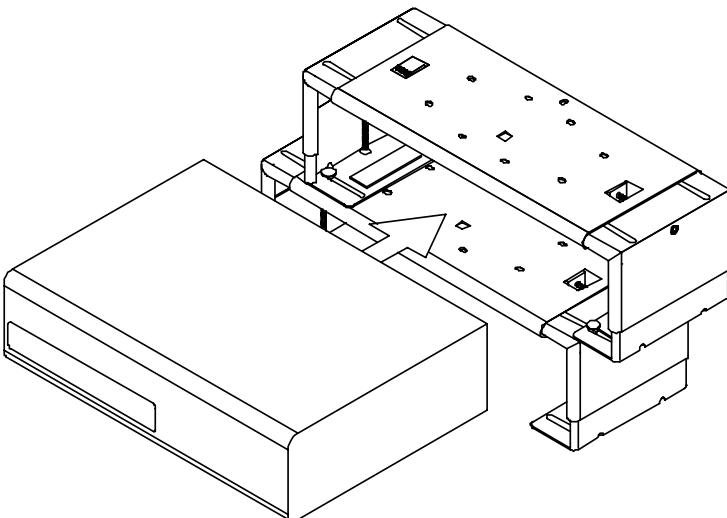
IMPORTANT! Do not stack more than three VCR Mounts from a single TV Mount!

IMPORTANT! Stacked load can not exceed 50 lb.

- 3** Insert four carriage bolts (A) into slots in upper VCR Mount. Attach lower VCR Mount using four nuts (B) and four washers (C). **HAND TIGHTEN ONLY.**
Note: if adhesive pads on VCR Mount are covering slots, trim away excessive pad to expose slots.



- 4** Insert VCR into upper VCR Mount.



- 5** Align front of VCR with front of TV on TV Mount above (TV Mount not pictured). Tighten expansion screws in sides and bottom of VCR Mount to clamp the VCR with a firm, secure grip.

Note: To access the vertical expansion screws located on the bottom of the upper VCR Mount, slide the lower VCR Mount to the side exposing vertical expansion screw. Repeat this step on opposite side of VCR Mount. Center lower VCR Mount and tighten four nuts (B, see step 3) securely.

Expand lower VCR Mount to slightly larger than the height and width of the VCR that it will hold. Insert and clamp lower VCR into lower VCR Mount.

