



# V2.series - Corner cubicle 60"W x 48"D - Posts 57"H and 37"H

## DETAILS and possible CONFIGURATIONS

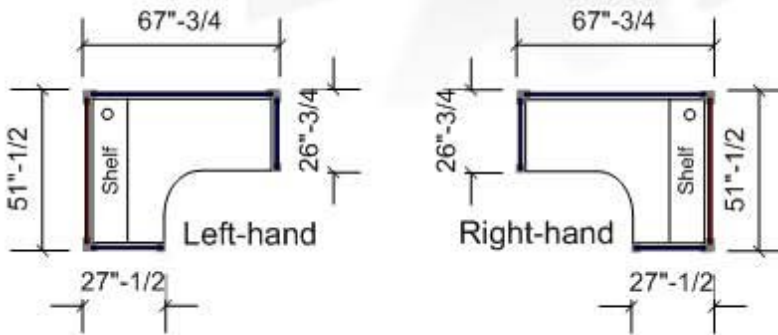
Ready-to-Work  
Office Cubicles

### What's in the Box?



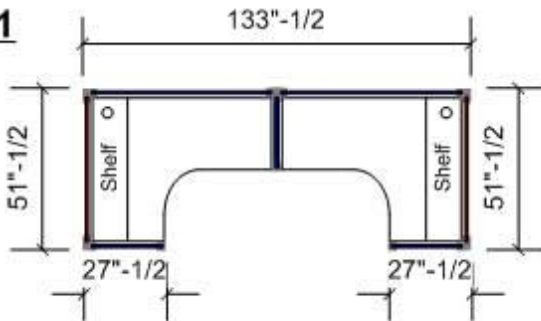
### Ref. V2\*

\* Can be used  
Right-hand or  
and Left-hand

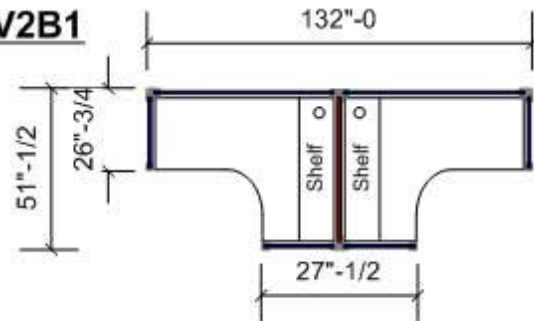


Panel height	
Red	57" High
Blue	37" High

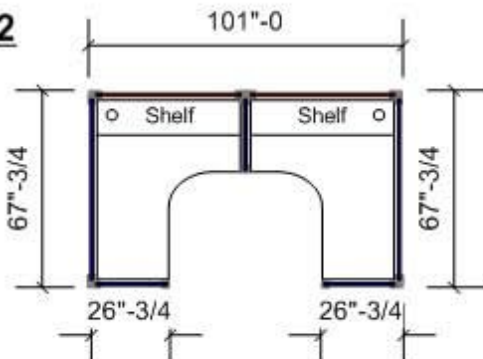
### Ref. V2A1



### Ref. V2B1



### Ref. V2A2



### Ref. V2B2

