

# Riser for Sorter Module

MODEL NUMBER 7752

## ASSEMBLY INSTRUCTIONS

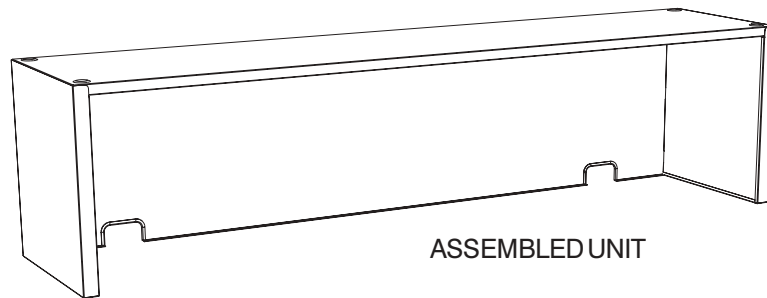
This product will assemble very easily IF you read and follow the instructions carefully. So take your time, read your instructions, and enjoy your project.

### 1 IMPORTANT

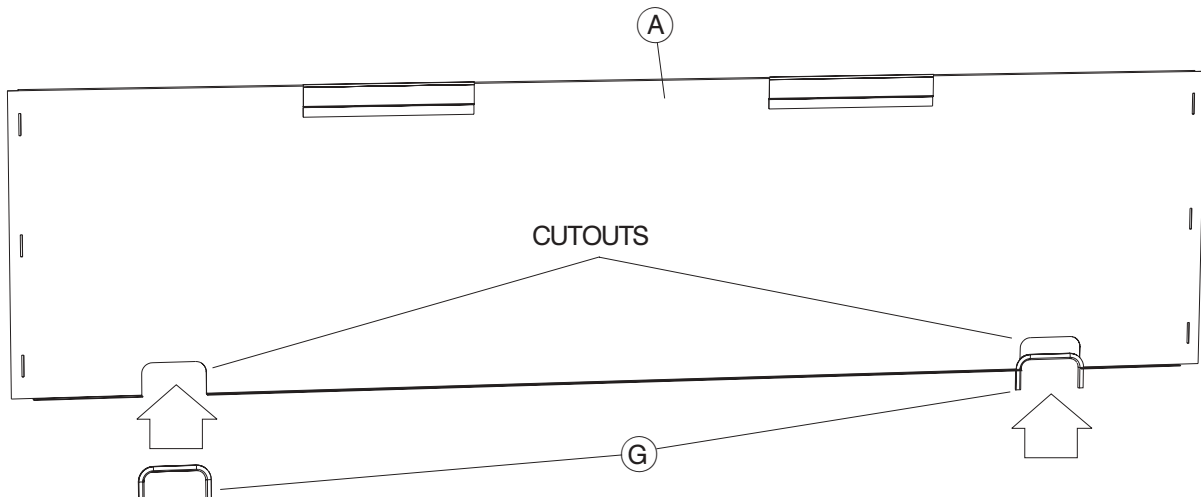
- ◆ READ and FOLLOW these instructions carefully!
- ◆ CHECK ALL PACKAGING - there may be parts in it!
- ◆ SORT and COUNT your parts - compare with the list below. If you find problems, refer to the Product Warranty Registration form included with this product.

### 2 Sort and count your parts!

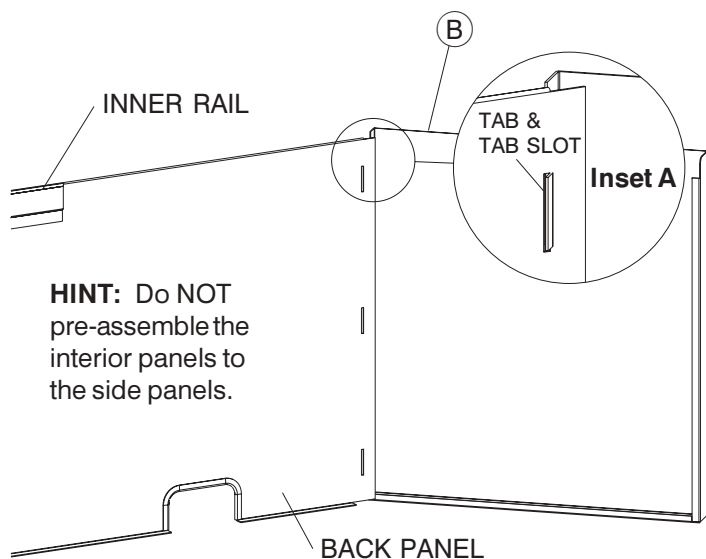
PARTS LIST			
LETTER CODE	DESCRIPTION	QTY.	PART NO.
(A)	Back Panel	1	7752-01
(B)	Right Side Panel	1	7752-04
(C)	Left Side Panel	1	7752-03
(D)	Interior Left Side Panel	1	7752-02
(E)	Interior Right Side Panel	1	7752-06
(F)	Top Panel	1	7752-05
(G)	Gaskets	2	7752-15



### 3 Insert (G) Gaskets into the two cutouts on the bottom edge of the (A) Back Panel, if not already installed.

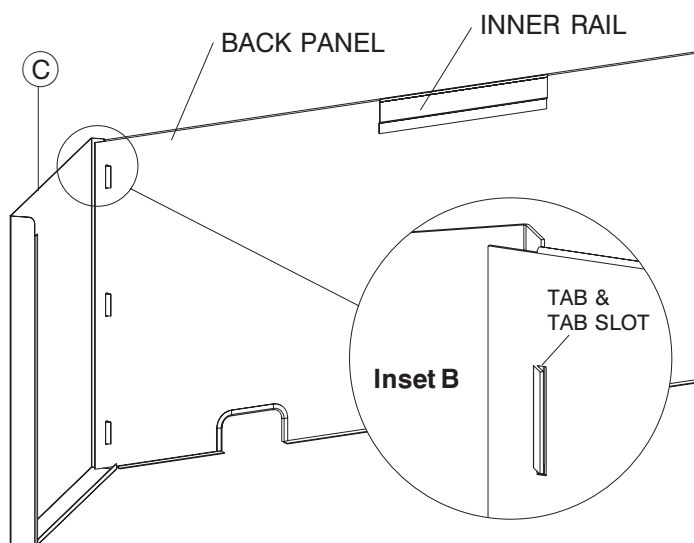


- 4** Position (A) Back Panel with the inner rails facing you. Place the (B) Right Side Panel with the tabs to the back and the flange side facing to the left. Insert the tabs on the Right Side Panel into the tab slots on the Back Panel from the BACK side (see Inset A).



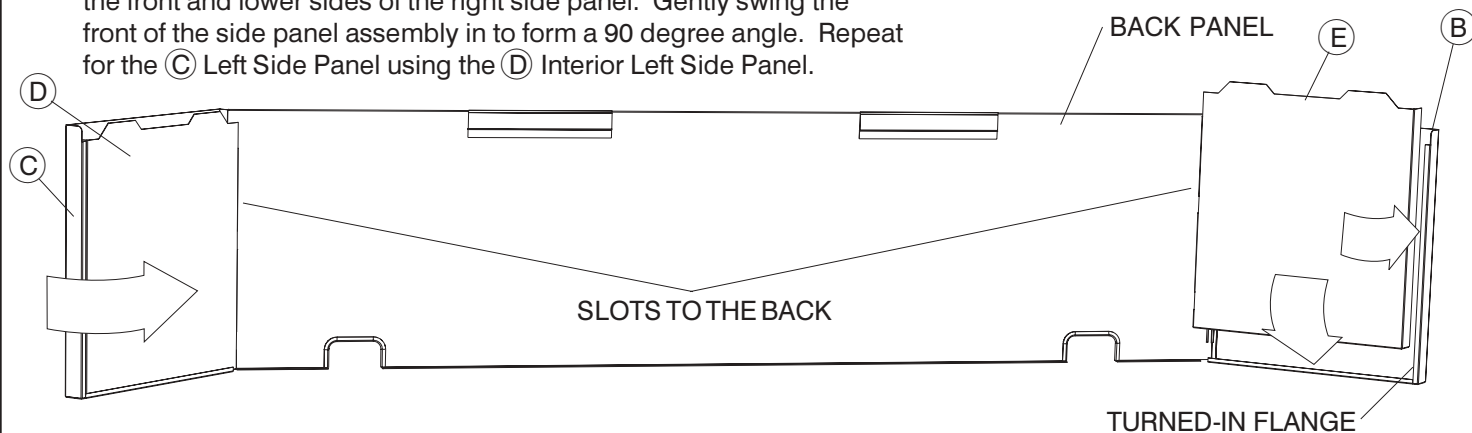
**HINT:** Do NOT pre-assemble the interior panels to the side panels.

- 5** From the left side, position the (C) Left Side Panel with the tabs to the back and the flange side facing to the right. Insert the tabs on the left side panel into the tab slots on the Back Panel from the BACK side (see Inset B).

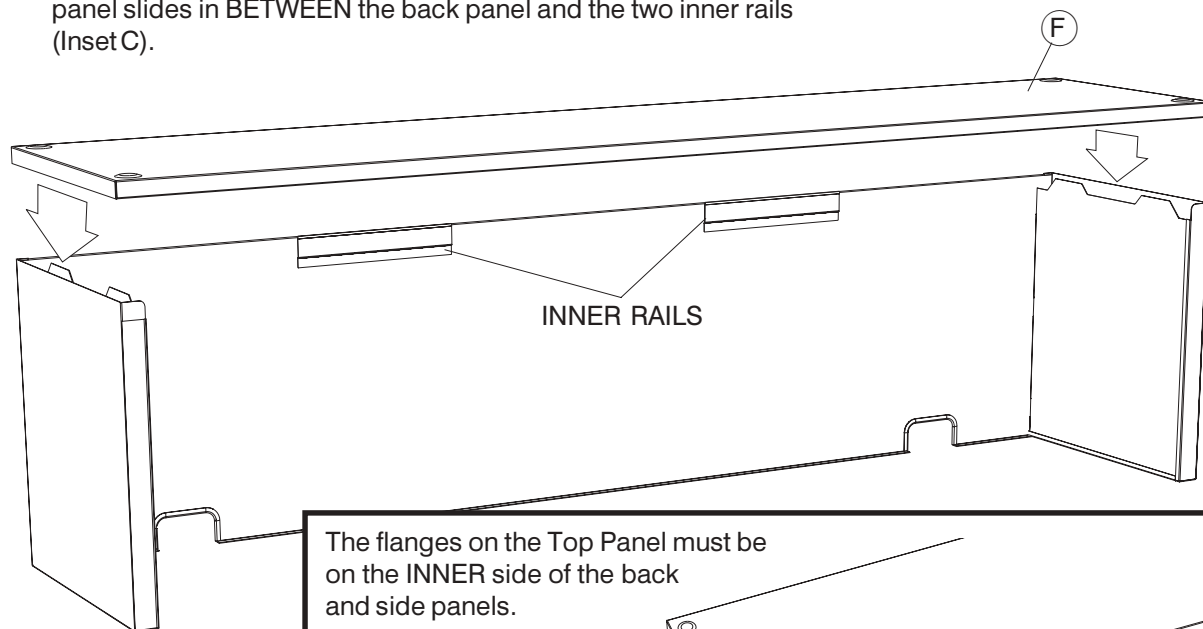


- 6** With the (B) Right Side Panel extended out at approximately 45 degrees, insert one (E) Interior Right Side Panel (with tabs UP and recessed side facing the side panel) behind the turned-in flanges on the front and lower sides of the right side panel. Gently swing the front of the side panel assembly in to form a 90 degree angle. Repeat for the (C) Left Side Panel using the (D) Interior Left Side Panel.

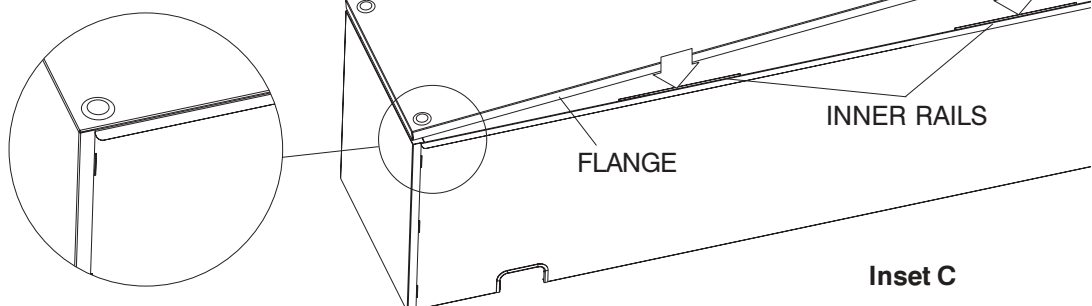
**HINT:** Do NOT try to slide the interior panels into the side panels without angling the side panels outward.



- 7** Attach the (F) Top Panel (with the recessed side facing down) onto the back and side panels, making sure the back flange on the top panel slides in BETWEEN the back panel and the two inner rails (Inset C).



The flanges on the Top Panel must be on the INNER side of the back and side panels.



**NOTE:** Firmly grasp the sides with a helper and carefully lift the assembled Riser into place.