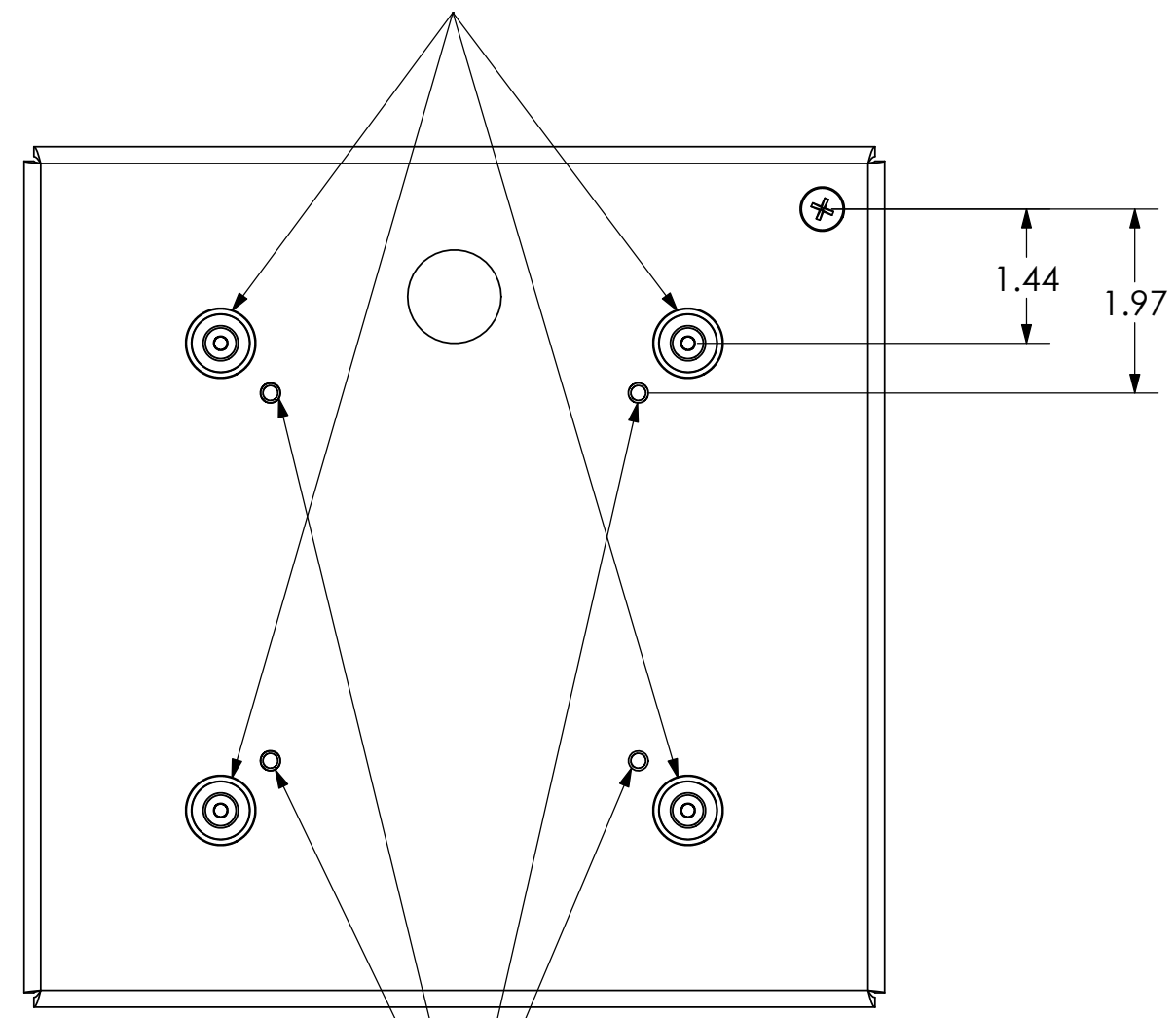


MOUNTING BUTTONS FIT INTO SLOTS ON Q2 SERIES MOUNT



ATTACH TO CENTRIS TYPE MOUNT USING THESE HOLES

