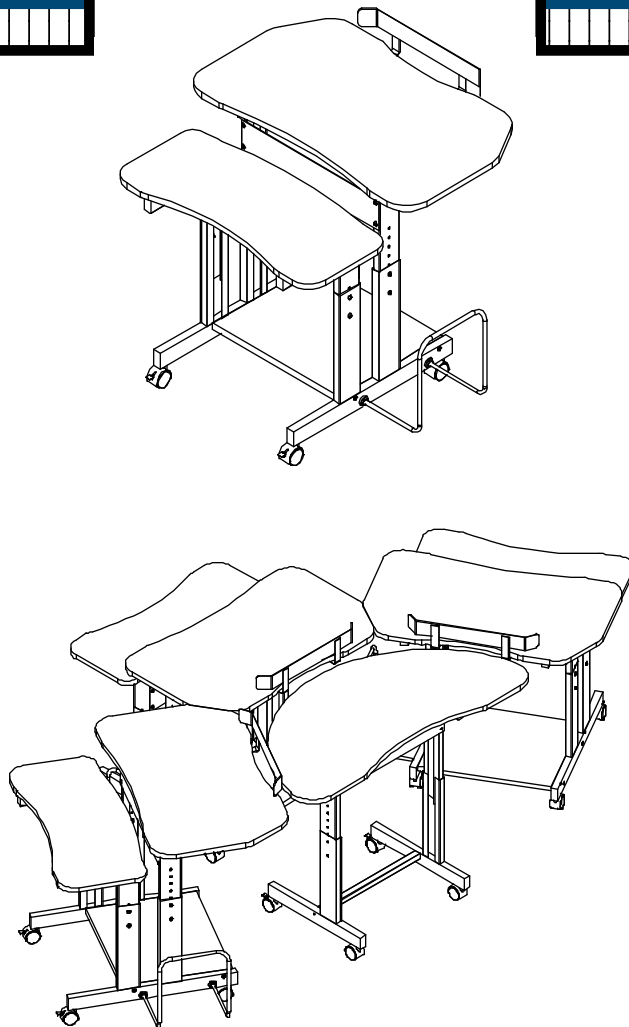


# FREEDOM

## Dual Adjustment Workstation



# Assembly Instructions

See back for important information, including our  
*Toll-Free Customer Service Telephone Number*



# FREEDOM

## Assembly Diagram

We recommend that you assemble this unit on a table.

Tools required: Adjustable Crescent Wrench

1. Identify and Separate all the Parts and Hardware.
2. Place the Small Top Platform (P-1) with the insert nuts facing up. Attach Right Small Top Support (P-2) and Left Small Top Support (P-3) using 4 each (C) screws. **(Finger tighten only)**
3. Attach Stability Panel (P-7) to Left & Right Small Top Supports (P-3& P-2) using 4 (A) Screws as shown in illustration #2.   
*(Tighten all the screws at this time)*
4. Place the Large Top Platform (P-6) with the insert nuts facing up. Attach Right Large Top Support (P-4) and Left Large Top Support (P-5) using 4 each (C) screws. **(Finger tighten only)**
5. Attach Stability Panel (P-7) to Left & Right Large Top Supports (P-5 & P-4) using 4 (A) Screws as shown in illustration #2.   
*(Tighten all the screws at this time)*
6. Attach Monitor Security Rail (P-13) to the Large Top Platform (P-6), using 4 (A) screws.   
**(Finger tighten only)**

Illustration #1

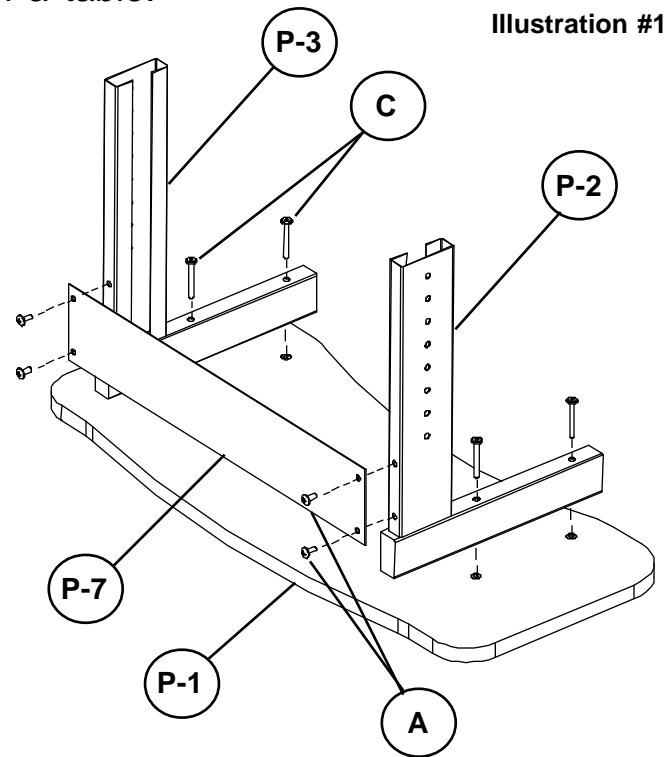


Illustration #2

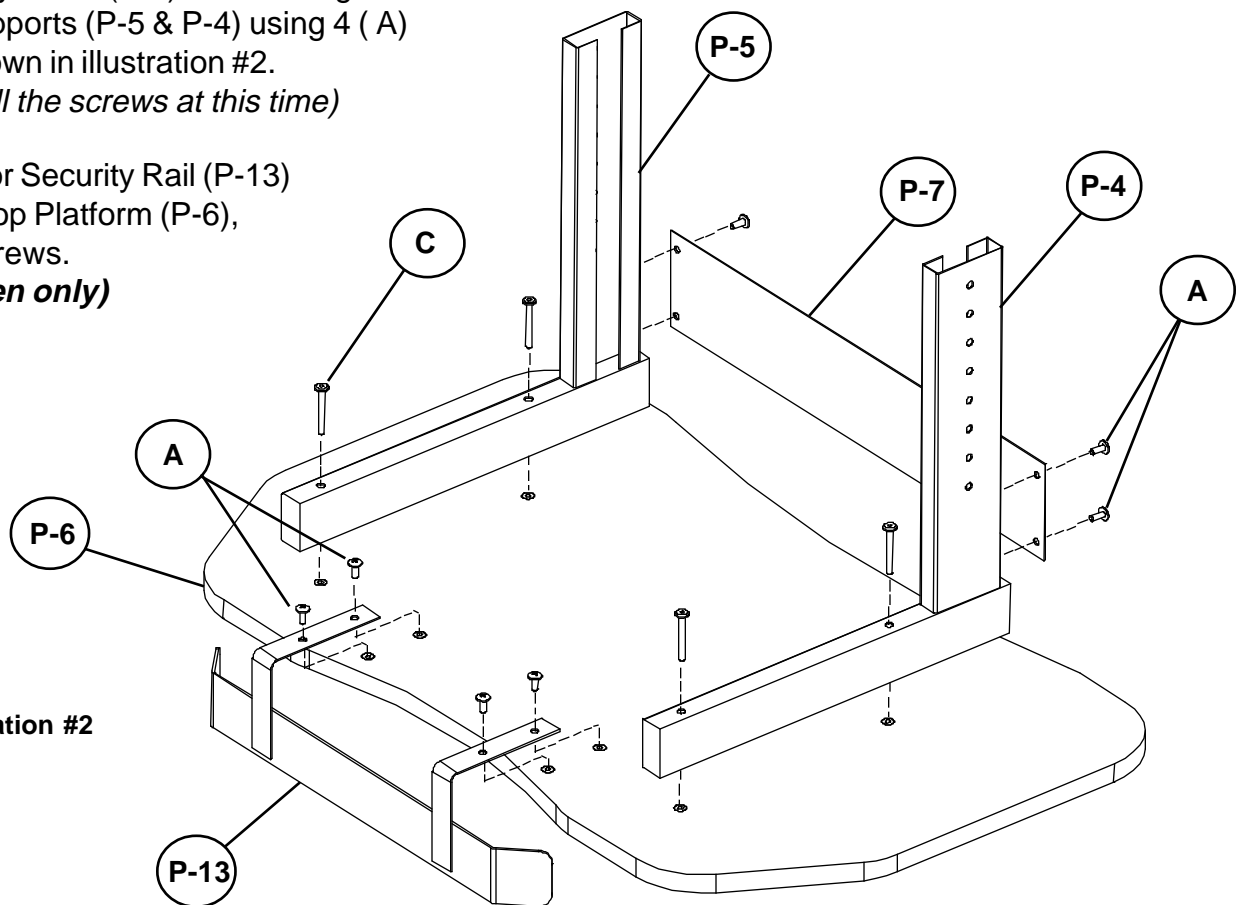
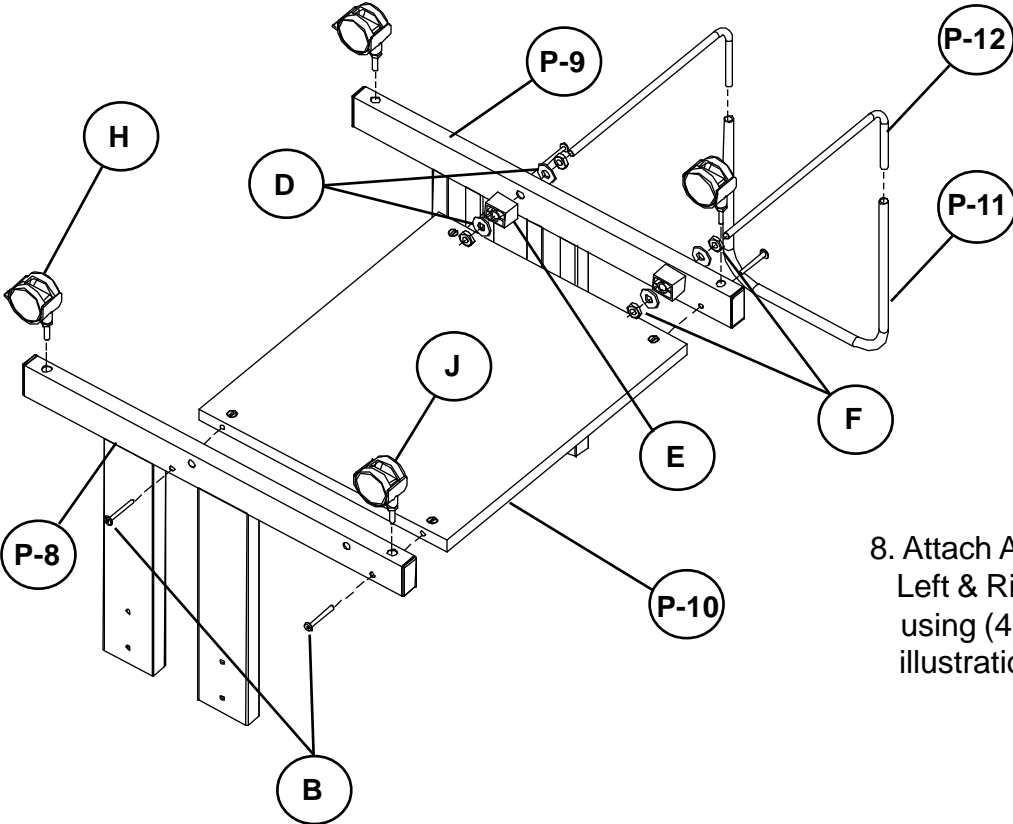


Illustration #3



8. Attach Accessory Platform (P-10) to Left & Right Leg Receivers (P-8 & P-9) using (4) B screws as shown in illustration #3.

Illustration #4

9. Attach (2) each H Locking Casters to the front of the 2 each Leg receivers and (2) each J Casters to the back of the Leg Receivers.

10. Attach (2) each CPU Rods (P-12) to the Right Leg Receiver (P-9) or Left Leg Receiver (P-8) as shown in illustration #3. Secure each rod with (2) each F Hex nuts, (2) each D Flat Washers and (1) each E Black spacer. Slide CPU Sleeve (P-11) over ends of CPU Rods as shown in illustration #3.

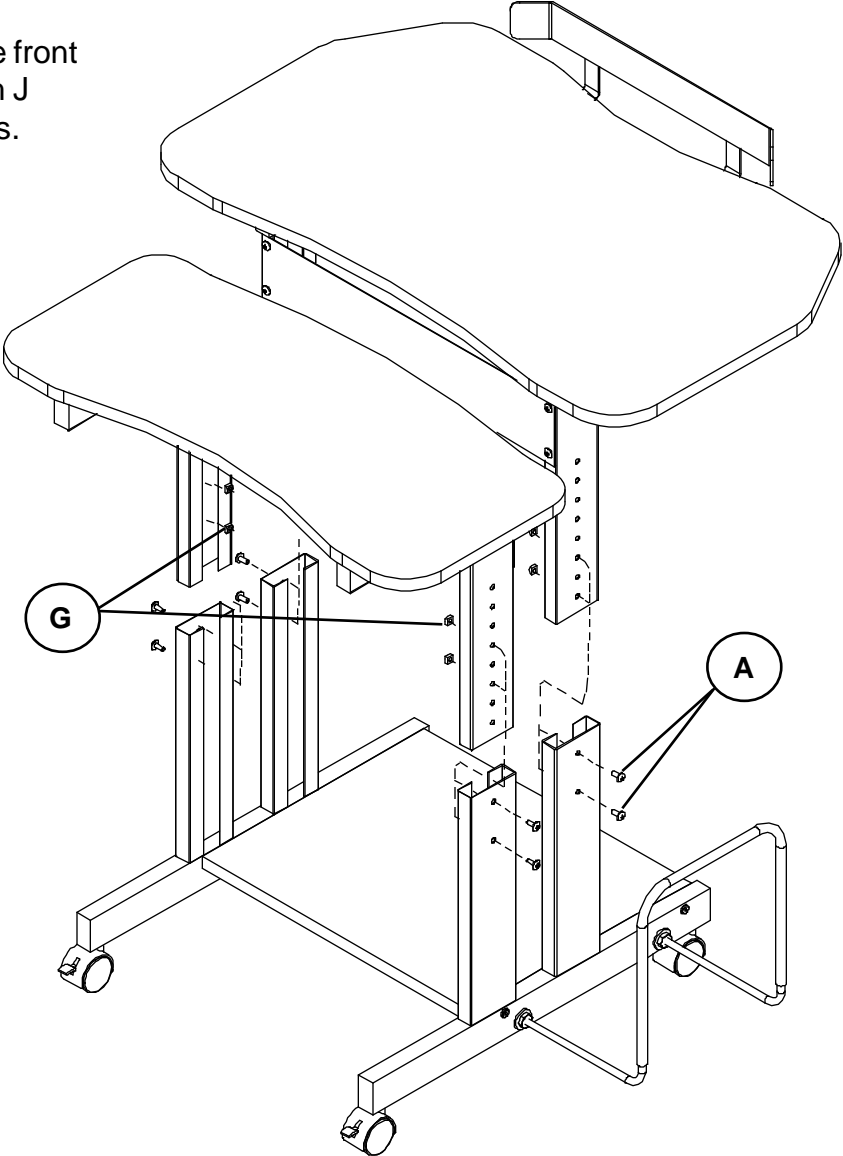


Illustration # 4

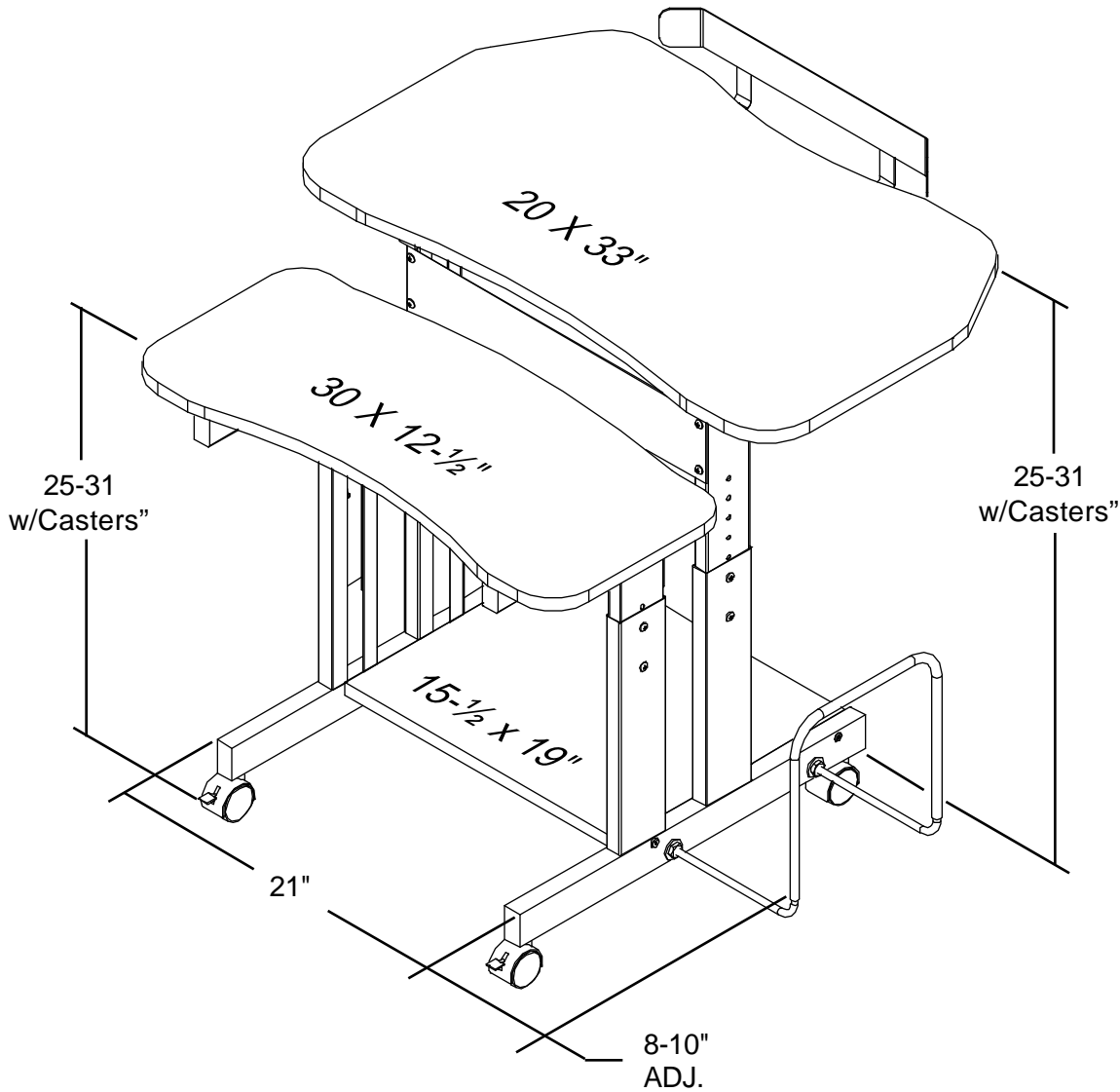
11. Slide the assembled Small Platform and the Assembled Large Platform into the Assembled LowerReceiver and secure at the desired height with (8) each A Screws and (8) each G Square nuts (flat side of the nut should be next to the metal)

12. Tighten all screws securely.

# FREEDOM

## Dual Adjustment Workstation

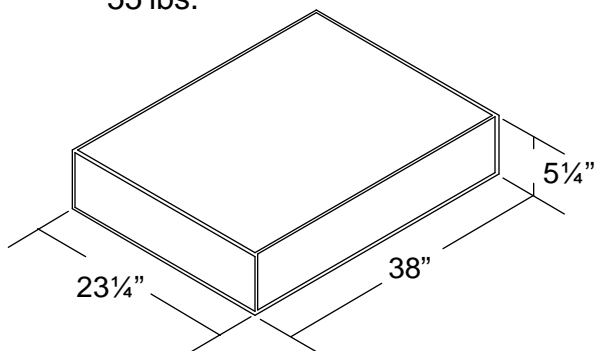
For more information  
**1-800-888-6024**



### Shipping Information

2.7 Cubic Feet

55 lbs.



Height adjustable ranging from 25 to 31" for Keyboard shelf and Monitor Shelf.

Keyboard Shelf and Monitor Shelf adjust independently for maximum versatility and user comfort.

Includes CPU Holder and 2" Casters for mobility.

Available in vacuum formed Gray Laminate w/Black Frame.

Ships UPS.