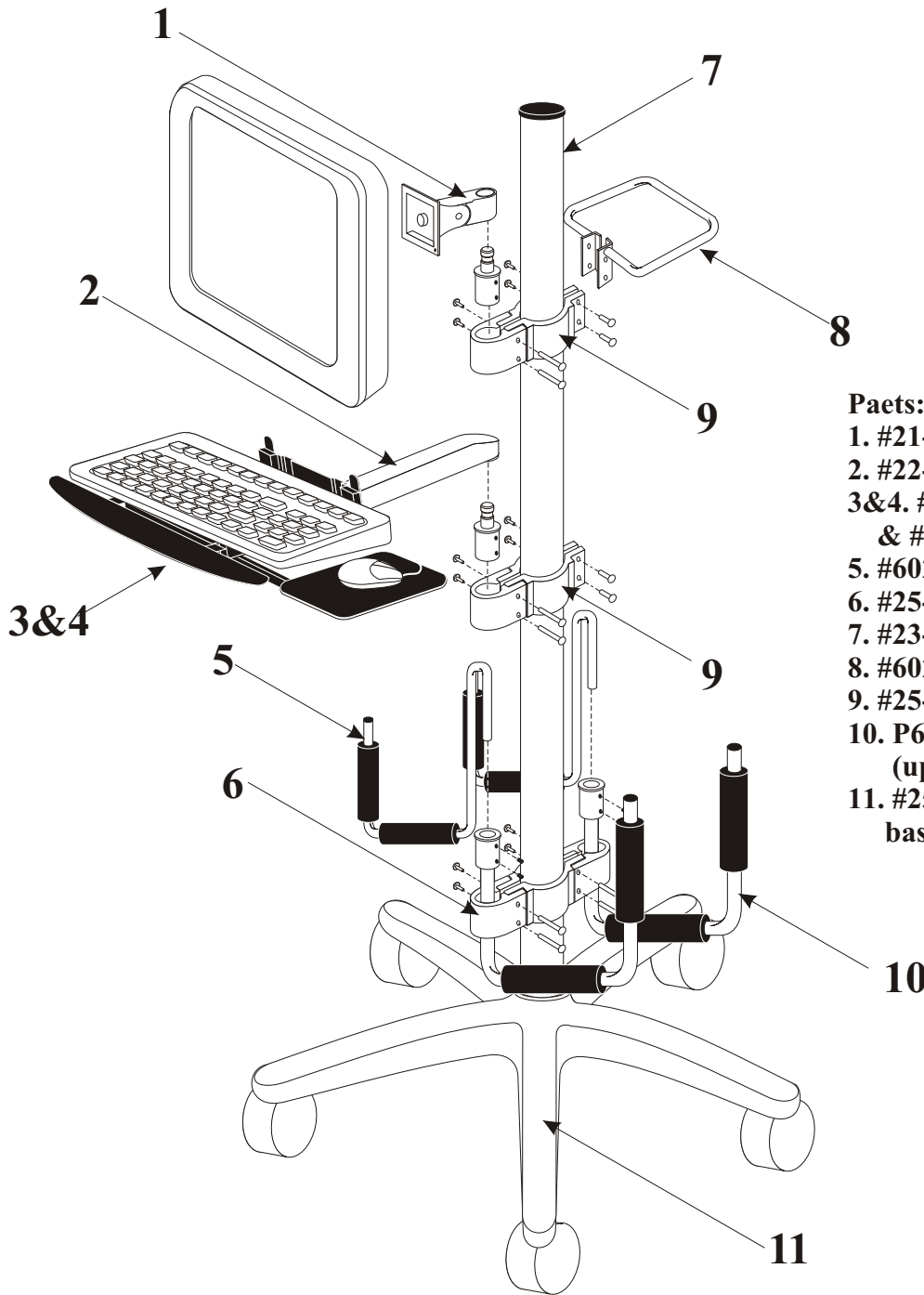


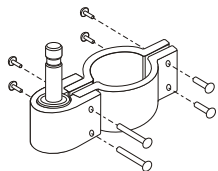
#60250 SERIES COMPUTER MOBILE CART INSTALLATION GUIDE



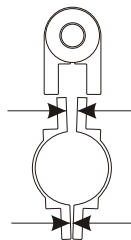
Paets:

- 1. #21-01 LCD pivot head
- 2. #22-06-1 extension arm
- 3&4. #21-03 keyboard pivot head
& #24-02 keyboard clamp
- 5. #60250-06 UPS holder
- 6. #25-41 dual mount pole clamp
- 7. #23-24 2" pole x 48" long
- 8. #60250-10 handle
- 9. #25-40 single mount pole clamp
- 10. P60250-05 CPU holder
(up to 7.5")
- 11. #25-34A Aluminum mobile
base with casters

**POLE CLAMP
INSTALLATION**



WRONG



CORRECT

