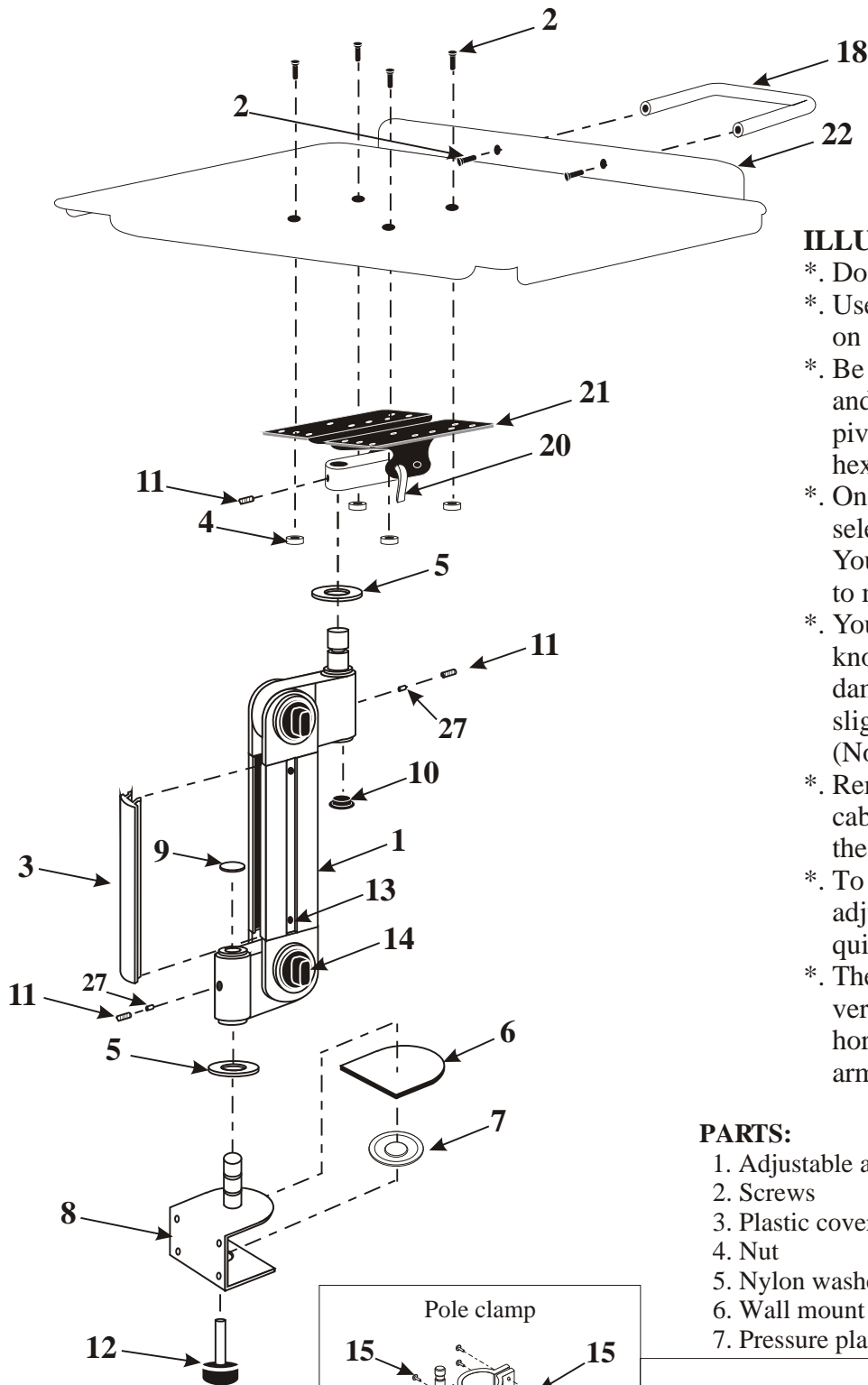


#60223 SERIES ADJUSTABLE PLATFORM INSTALLATION GUIDE



Platform weight capacity

Please check the following weight capacity range and do not try to bend this arm with over load.

- * #60223.13xx weight capacity 1kgs to 6.0kgs.
- * #60223.33xx weight capacity 1kgs to 3.5kgs.

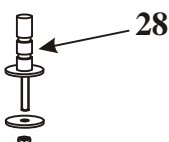
ILLUSTRATION:

- *. Do not install the arm unit up side down.
- *. Use #2 screws to install the #18 handle on the #22 platform.
- *. Be sure to tighten and fix #11 set screw and plastic insert tip well on #21 tray pivot unit by using the attached 3mm hex key wrench.
- *. On the #21 tray pivot unit, there are two selections of mounting hole locations. You can select either one use #2 screws to mount the tray on #21 pivot unit.
- *. You are not recommended adjust #14 knobs. However, if you want a more dampened lift adjustment, you may slightly turn the #14 knobs tight. (Note: Do not turn #14 knobs off.)
- *. Remove #3 plastic cover you can organize cables inside the arm housing, then insert the plastic cover back.
- *. To get more dampened platform tilt adjustment, you can screw the nut of quick release a little bit tight.
- *. The max. arm motion range is from the vertical plane 90 degrees down to the horizontal plane. Do not try to adjust the arm over its limitation of motion range.

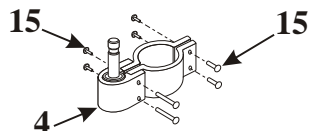
PARTS:

- | | |
|------------------------|--------------------------|
| 1. Adjustable arm unit | 8. C-Clamp |
| 2. Screws | 9. Name plate |
| 3. Plastic cover | 10. Tube cover |
| 4. Nut | 11. Hex set screw |
| 5. Nylon washer | 12. Screw knob |
| 6. Wall mount bracket | 13. Fastener |
| 7. Pressure plate | 14. Plastic knob |
| | 15. Hex screw |
| | 16. Sleeve anchor |
| | 17. Screws |
| | 18. Tray handle |
| | 19. Flat tape head screw |
| | 20. Quick release |
| | 21. Tray pivot unit |
| | 22. Tray |
| | 23. Pin |
| | 27. Plastic insert tip |
| | 28. Grommet mount |

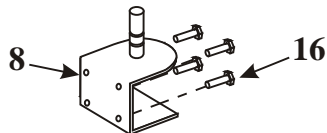
Grommet mount



Pole clamp



2 in 1 mount



Wall mount

