

PROJECTOR CEILING MOUNTS

CUSTOM SOLUTION

LCDA™ NON-INVERTED UNIVERSAL PROJECTOR MOUNT

Great for portable projector installations in offices and small businesses where the projector needs to be taken down frequently.

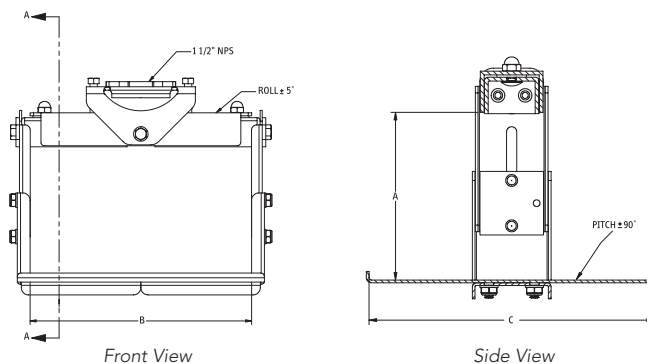


LCDA Model	A - Max Height	B - Max Width	C - Tray Depth
LCDA-215C	3-1/3"–4-2/5" (84–112 mm)	7-5/8"–12-3/5" (194–320 mm)	8" (203 mm)
LCDA-220C	7-11/16"–13-2/5" (196–340 mm)	8-5/8"–11-1/2" (219–292 mm)	17-3/4" (450 mm)
LCDA-225C	10-4/5"–16" (274–419 mm)	8-5/8"–11-1/2" (219–292 mm)	17-3/4" (450 mm)
LCDA-230C	7-11/16"–13-2/5" (196–340 mm)	12-11/16"–23-1/4" (324 mm–59.1 cm)	17-3/4" (450 mm)
LCDA-240C	10-4/5"–16" (274–419 mm)	*14-1/8"–19-3/5" (358–498 mm)	22-1/4" (56.5 cm)

*Tray width of LCDA-240C is not adjustable. Adjustments are for the side panels only. Tray is a fixed 12-1/2" (317 mm) wide.

3 Mounting Options:

1. Flush mount to ceilings with the CMA-250 Accessory.
 2. 1/4" Threaded Rod using the four corner slots in the top of the mount.
 3. 1-1/2" NPT Threaded Extension Column using the threaded opening at the top of the mount.
- Note: CMA-250, Threaded Rod and Extension Column not included.



RECOMMENDED ACCESSORIES

PAGE

CMA-100 8" (203 mm) Ceiling Plate with Attached Adjustable 1-1/2" NPT Column	22
CMA-110 8" (203 mm) Ceiling Plate with 1-1/2" NPT Opening	22
CMA-250 Flush Mount Adapter	24
CMA-330 Offset Ceiling Plate	22
CMA-440 Lightweight Suspended Ceiling Kit	23
CMA Fixed and Adjustable Extension Columns	24

SPECIFICATIONS

Model:	LCDA
Roll	+/-5°
Pitch	+/-90°
Yaw	360°
Color	Black
Weight	
Capacity	50 lbs (22.7 kg)

FAQ

1. How do I know which projectors will work with the LCDA Series?
 - A The LCDA Series can be used with any projector that will fit within the maximum equipment size (reference the dimensions chart and diagrams).
2. How do I know which LCDA mount to select?
 - A Verify that your projector can be non-inverted. Find the model with the maximum equipment dimensions that best fits your projector.
3. Do I need to order a separate interface bracket?
 - A No projector bracket is needed with the LCDA Series. The projector rests on a tray and the mount adjusts around it for a secure fit.
4. How much weight does the mount hold?
 - A Each mount is designed to support 50 lbs (22.7 kg). However, your ceiling must hold at least five times the weight of your installation.

HOW TO ORDER

1. Determine which model best fits the dimensions of your projector in height, width and tray depth, or call Customer Service at 1.800.582.6480 (domestic) or 952.894.6280 (international).
2. Choose any appropriate accessories needed for your application.
3. Fax or e-mail your order to Customer Service at 877.894.6918 (domestic) or 952.894.6918 (international), or orders@chiefmfg.com.